

DIN 7.1/232

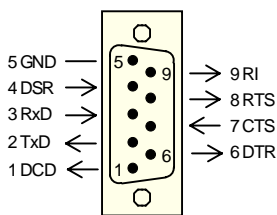
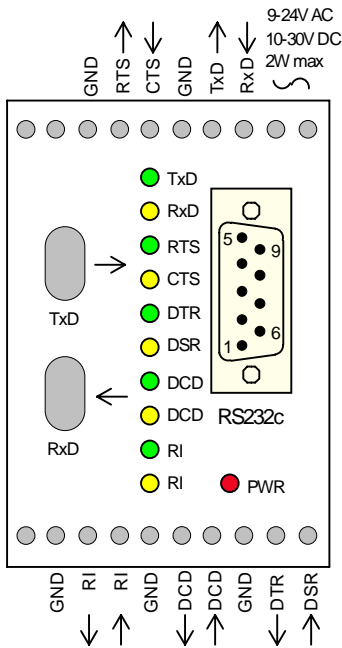
converter

RS 232c ↔ Fiber Optic

transfer all signal RS232c

(RxD, TxD, RTS, CTS, DTR, DSR, DCD, RI)
or 5x RxD, TxD

LAYOUT OF CONNECTORS - DCE



TECHNICAL PARAMETERS

max. transfer rate	115 kb/s 56kb/s for signal RI
max. line length	1 700m / 62.5um
transferred signals	RxD, TxD, DTR, DSR, RTS, CTS, DCD, RI
RS232 signal connection	DCE/DTE
transfer mode	time multiplex, full duplex
connector RS232	screw + DB9M
connector fiber optic	ST (SMA, SC, FC)
overvoltage (soft) protection - supply	600W/1ms
polarity inversion protection - supply	diode bridge
optical indication (LED)	red PWR yellow INPUT signals green OUTPUT signals
protection	IP 30
weight	0.10 kg
power supply	10-30V DC 9-24V AC
power consumption	max 2W
dimension (l x h x b)	76 x 55 x 115 mm